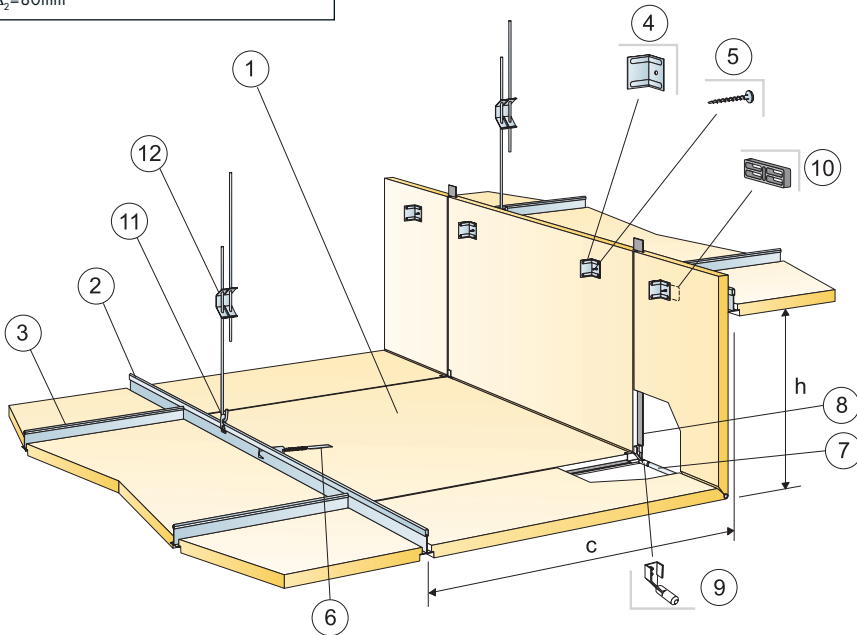
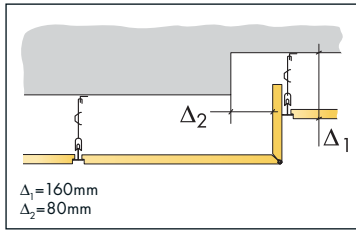


Focus Fixiform E

1200x600, 1500x600,
1900x600, 2300x600

M276

M277



1. Ecophon Focus Fixiform

2. Connect Main runner

3. Connect Cross tee

4. Angle bracket Fixiform

5. Fixiform screw

6. Connect Hook

7. Reinforcement rod

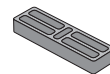
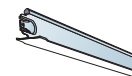
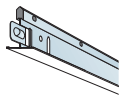
8. Connect F-spline

9. Plug for reinforcement rod

10. Distance

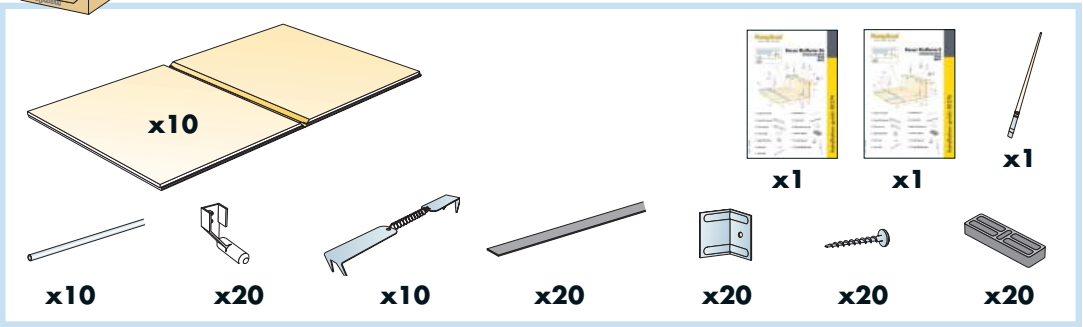
11. Connect Hanger clip

12. Connect Adjustable hanger

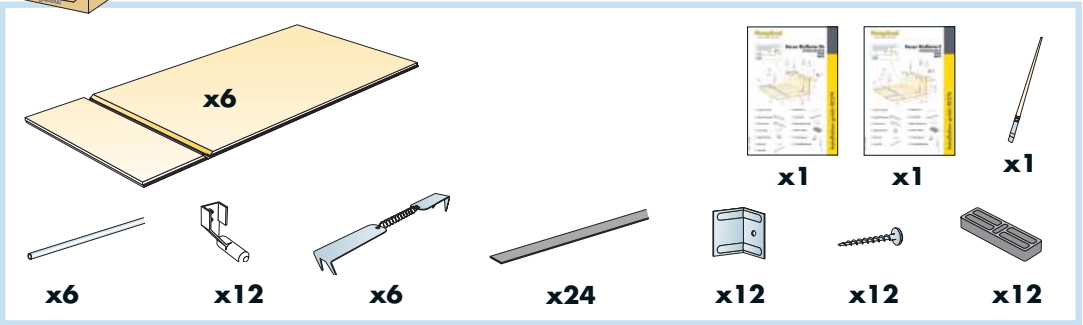




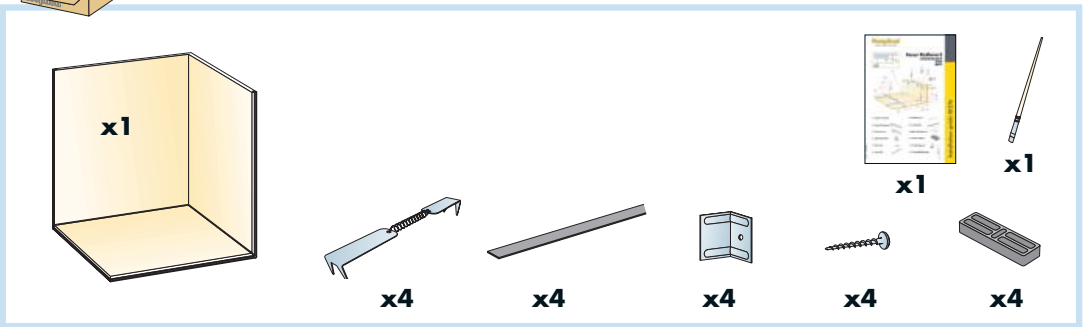
Fixiform Ds/E 1200x600



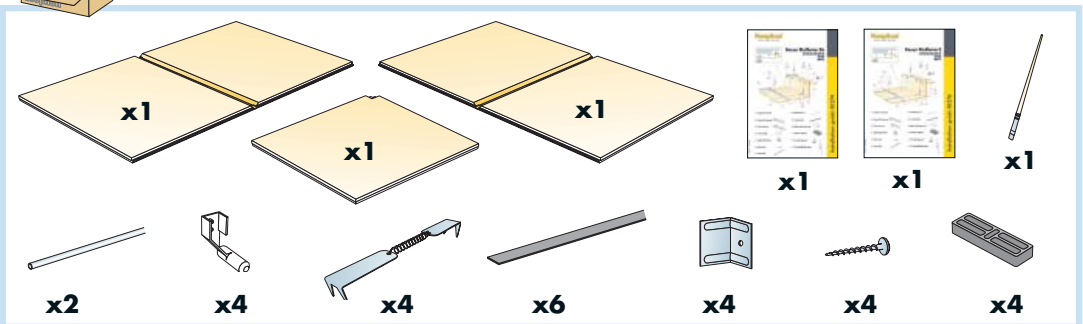
Fixiform E XL 1500x600, 1900x600, 2300x600

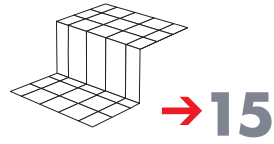
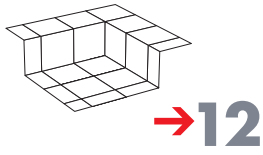
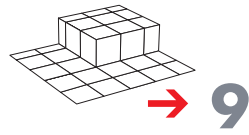
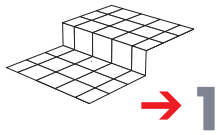
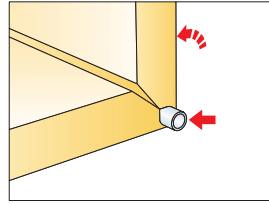
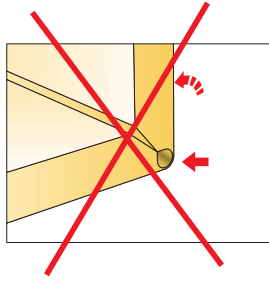


Fixiform E EC 600x600

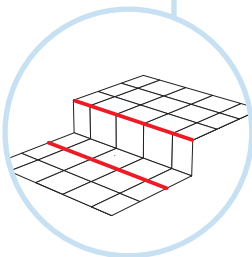
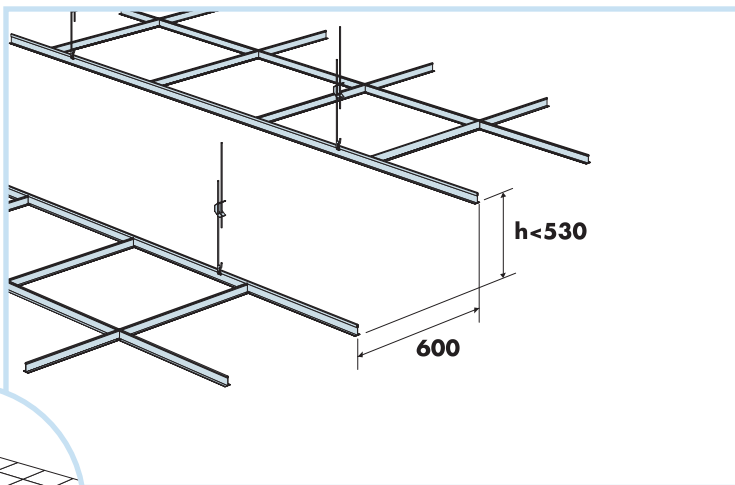


Fixiform E IC 1200x600

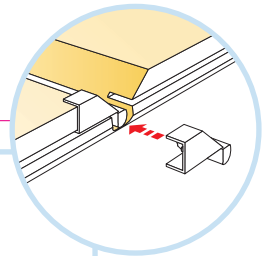
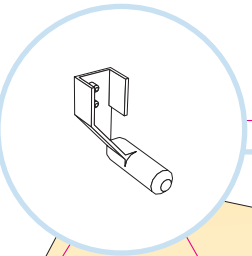
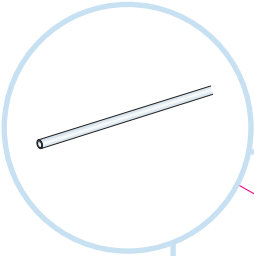
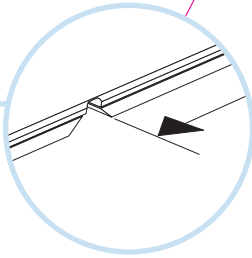
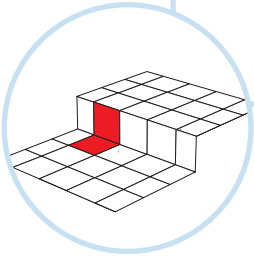
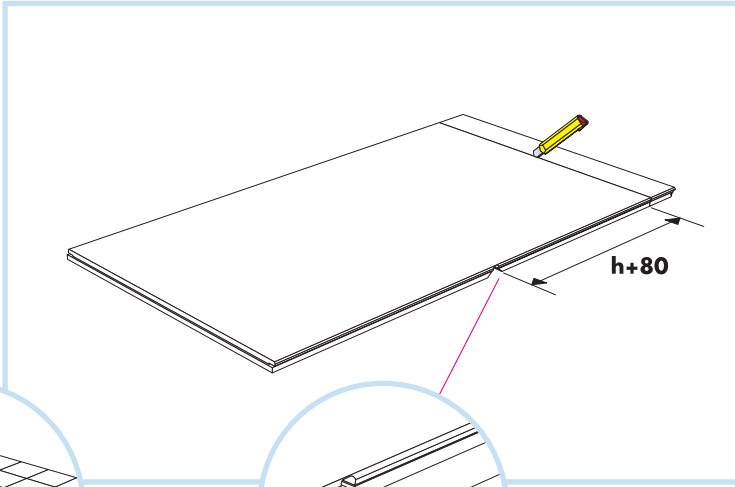




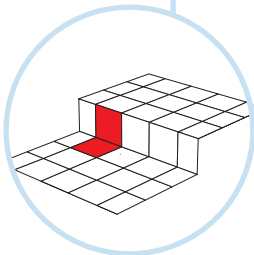
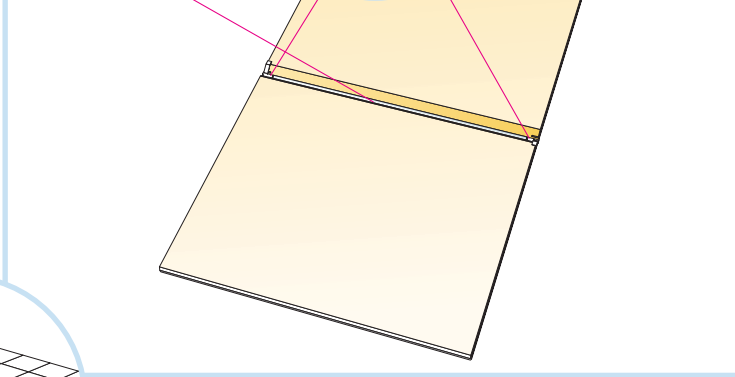
1

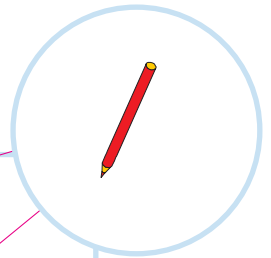
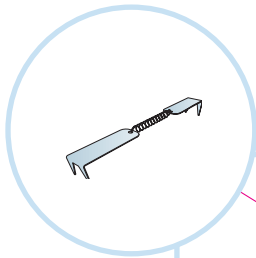


2

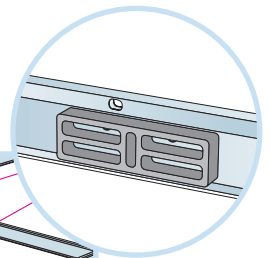
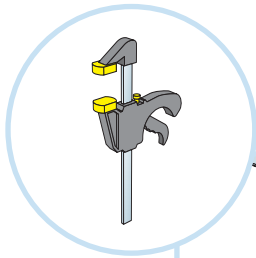
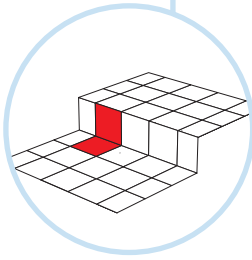
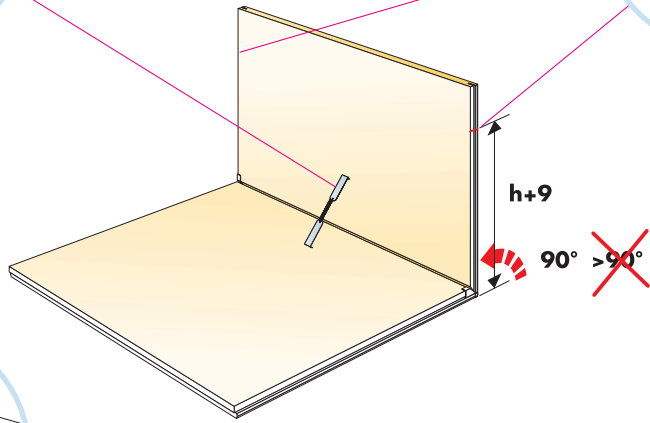


3

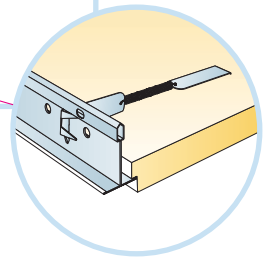
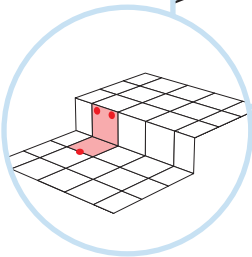
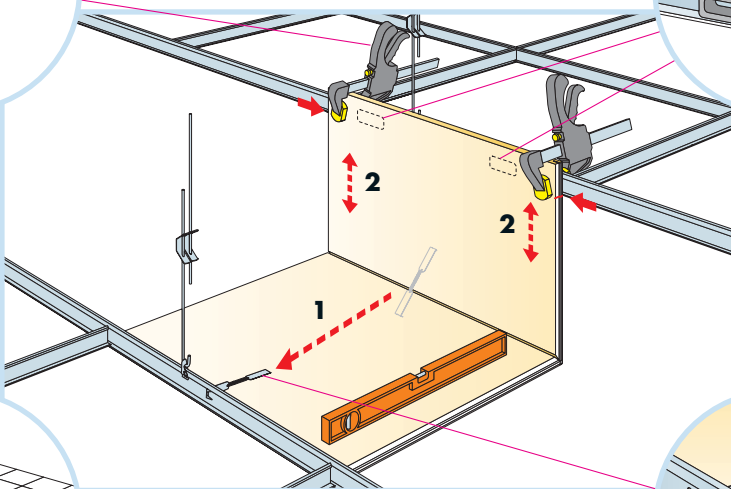




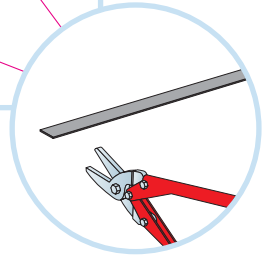
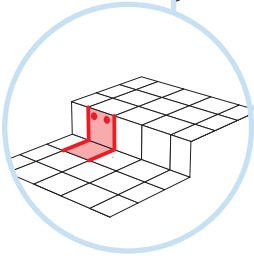
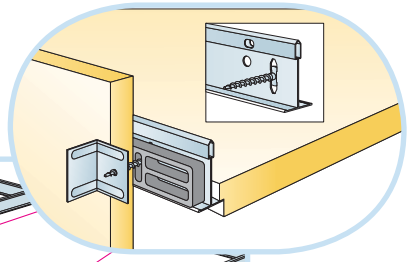
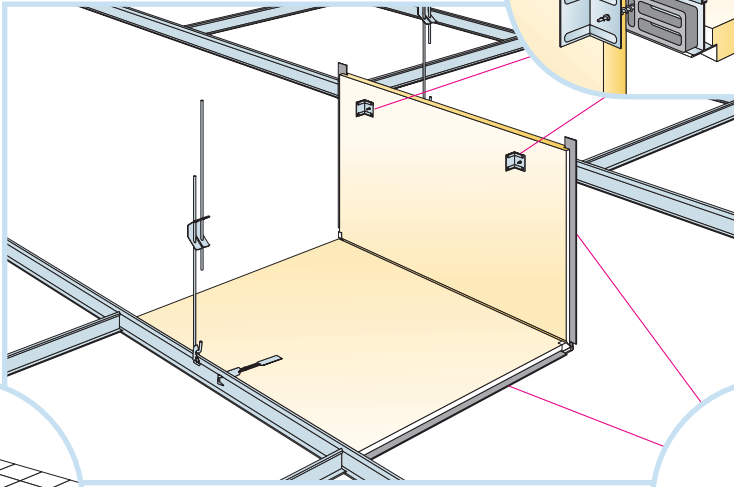
4



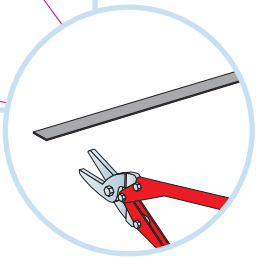
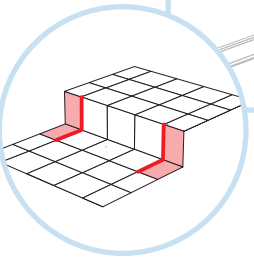
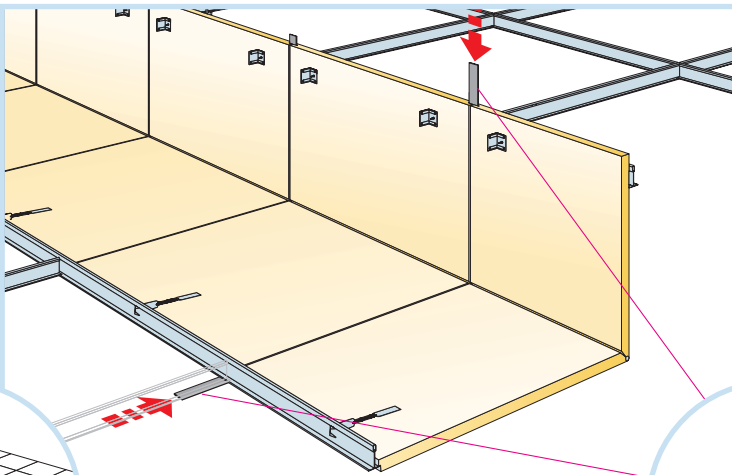
5



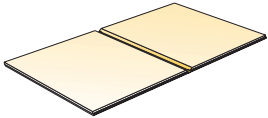
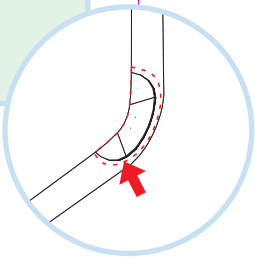
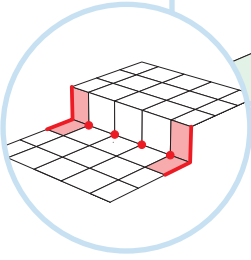
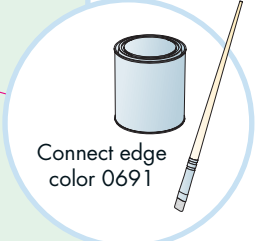
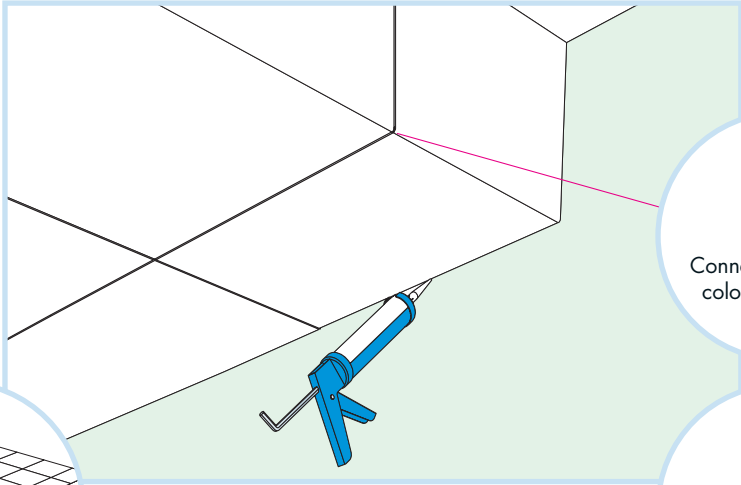
6



7



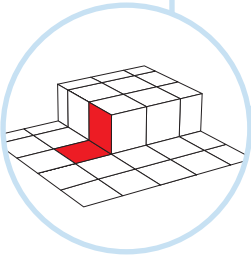
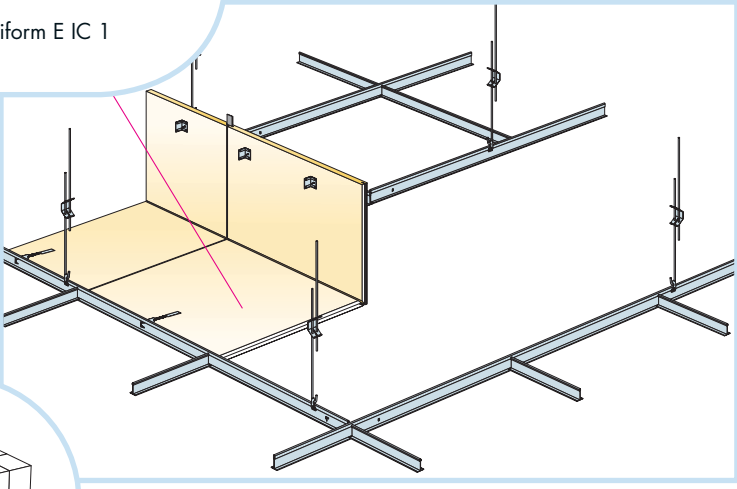
8

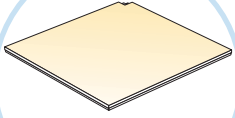


Focus Fixiform E IC 1

→ 1-6

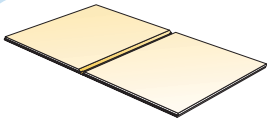
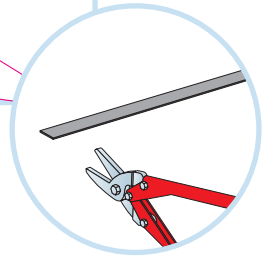
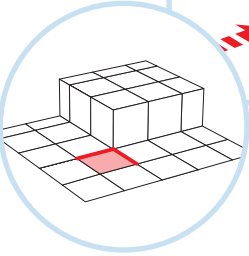
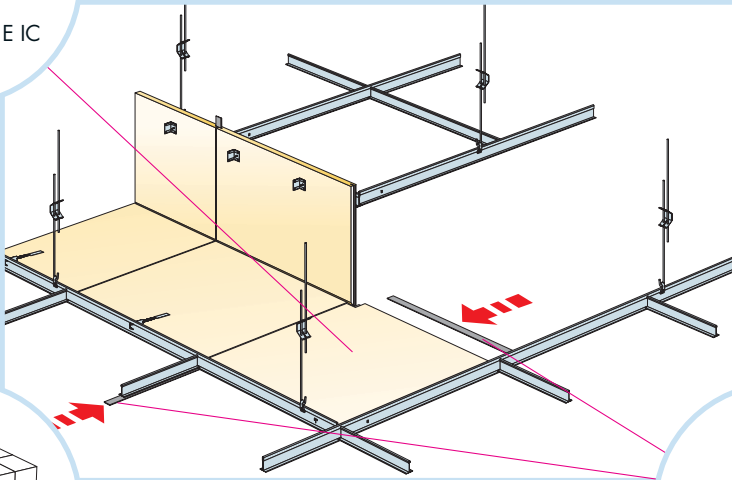
9





Focus Fixiform E IC

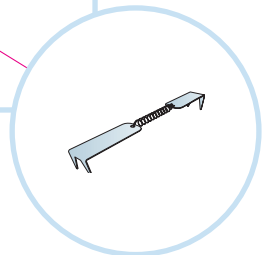
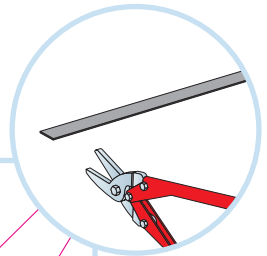
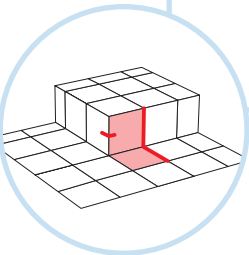
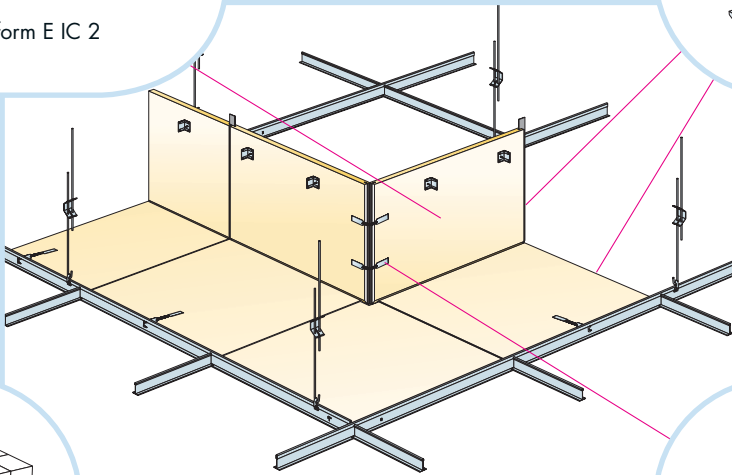
10

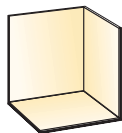


Focus Fixiform E IC 2

→ 1-6

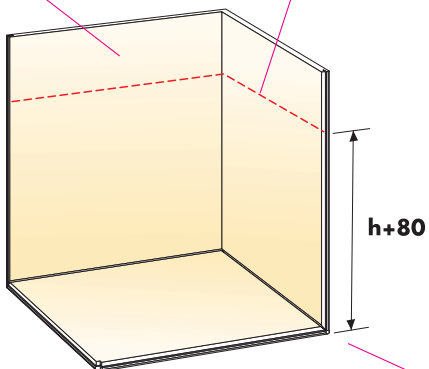
11



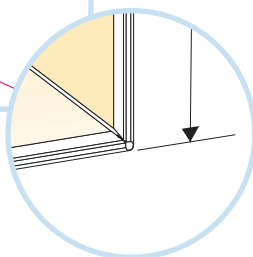
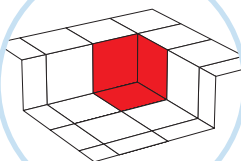


Focus Fixiform E EC

12

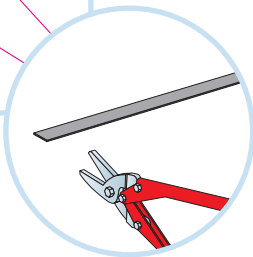
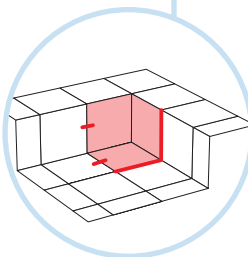
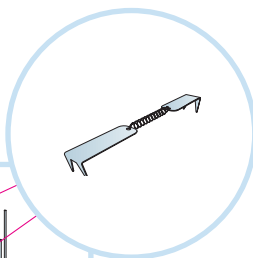
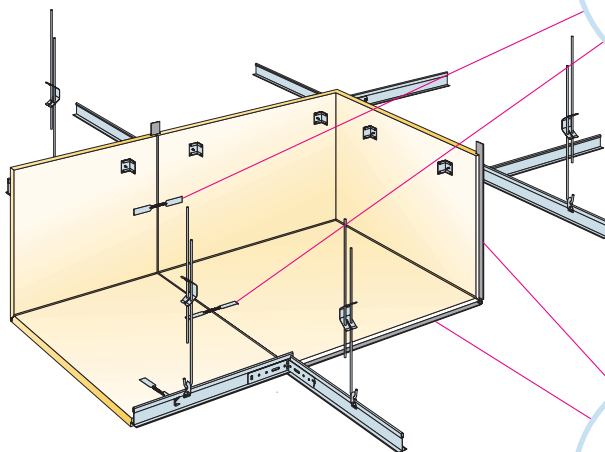


$h+80$

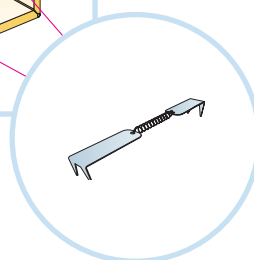
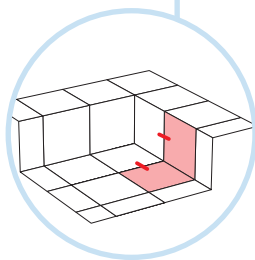
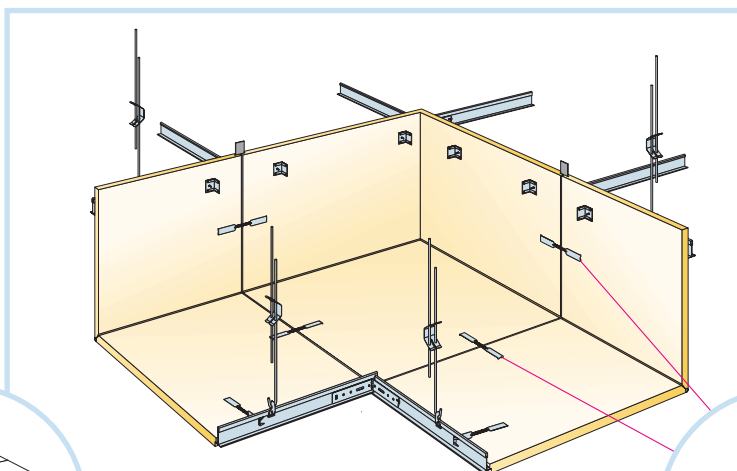


→ 5-6

13

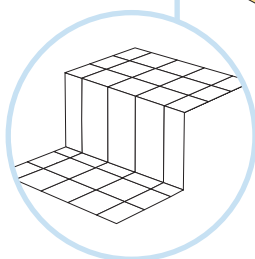
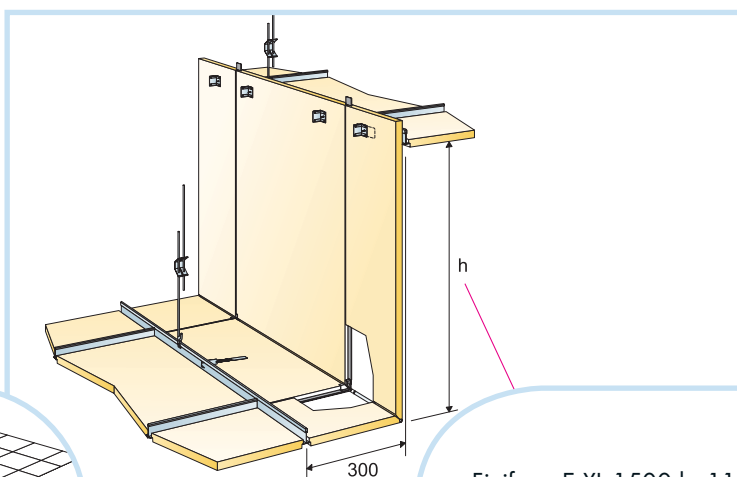


14



→ 1-6

15



Fixiform E XL 1500 h<1130
Fixiform E XL 1900 h<1530
Fixiform E XL 2300 h<1930

